



**SOUTHWEST
GAS METER SHED**
Pg = 545 psf

**GARY DAVIS GROUP
DESIGN AND ENGINEERING**

post office box 7409
San Diego city, ca 92115
tel 530.583.9222 fax 530.583.9298
garydavisgroup.com



Project Number	64310
Designed By	MA
Drawn By	GS
Client Name	SOUTHWEST GAS
Client Phone	
Revisions	

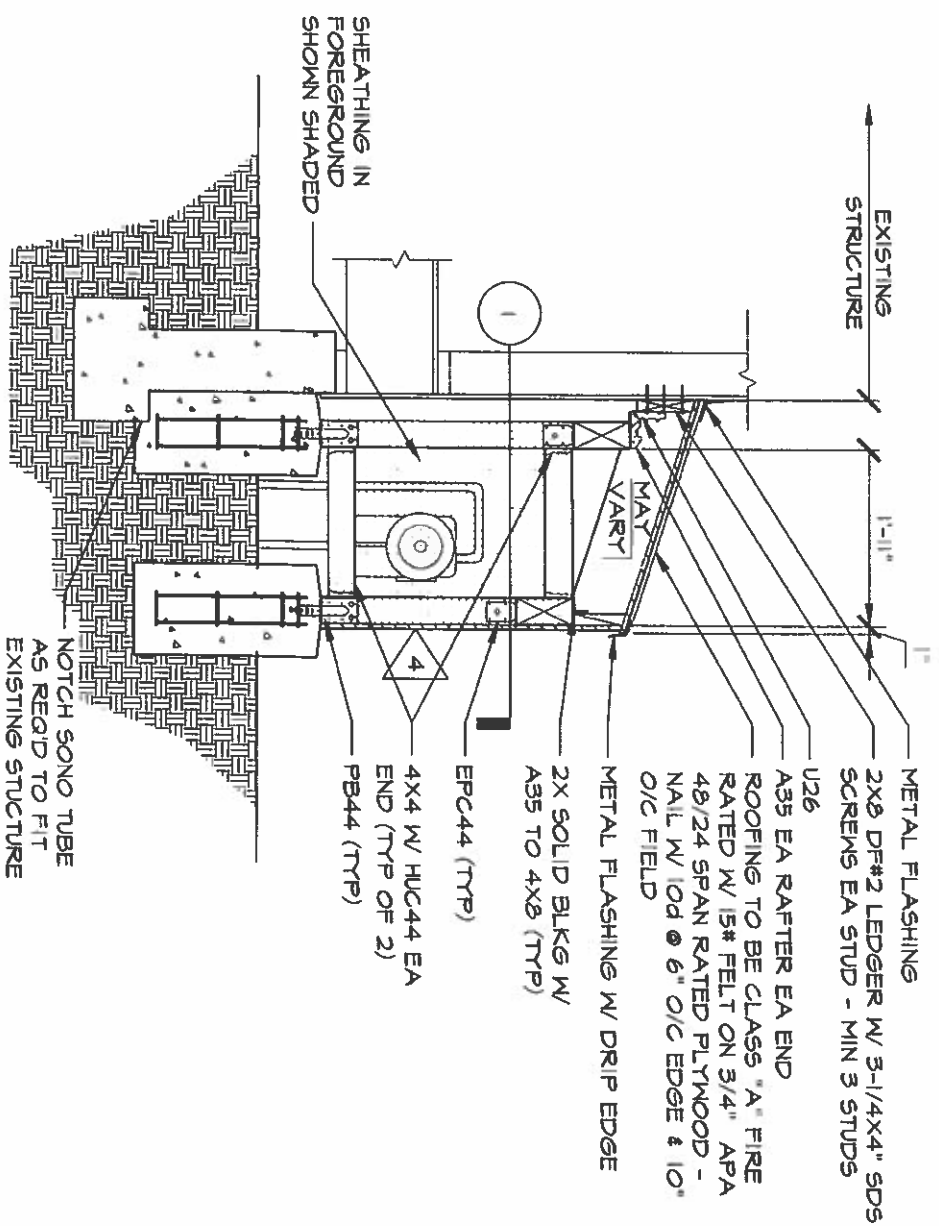
All drawings and written material appearing herein constitute original and unpublished work of the engineer and may not be duplicated, used or disclosed without written consent of the engineer.

Description
**SIDE ELEVATION
SHED ROOF**

Scale 1/2" = 1'-0" U.N.D.
File No 64310 Meter Shed.dwg
Plot Date MAY 1, 2004

S1.0C

3 OF 4 SHEETS



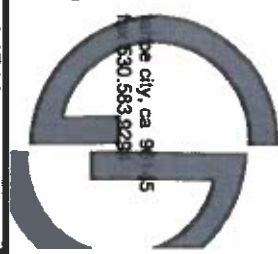
SIDE ELEVATION



**SOUTHWEST
GAS METER SHED**
Pg = 545 psf

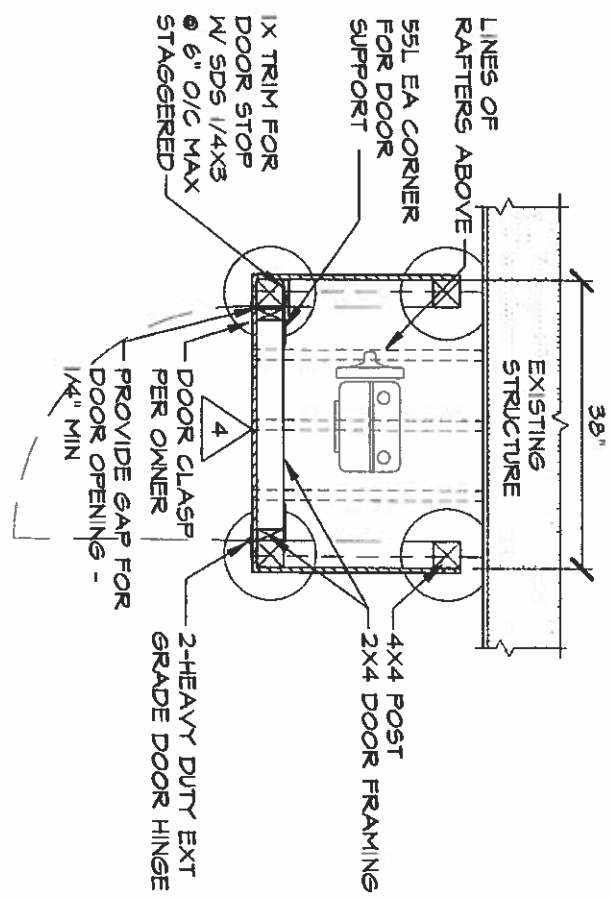
**GARY DAVIS GROUP
DESIGN AND ENGINEERING**

post office box 7409
Bakersfield, ca 93315
tel 530.583.9222 fax 530.583.9029
garydavisgroup.com

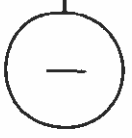


Project Number	64310
Designed By	MA
Drafted By	GS
Client Name	SOUTHWEST GAS
Client Phone	
Revisions	

All drawings and written material appearing herein constitute original and unpublished work of the engineer and may not be duplicated, used or disclosed without written consent of the engineer.



FRAMING PLAN



**FRAMING PLAN
SHED ROOF**

Description

Scale 1/2" = 1'-0" UNO.
File 64310 Meter Shedding
Plot Date MAY 1, 2004

S1.0D

4 OF 4 SHEETS



NOTES

ROOF SNOW LOAD (P_s): MAX. 687 PSF PER PLACER COUNTY, 7501 FT & UP, TABLE A-16-C ADDITION TO IBC SECTION 1608. ADDITIONAL FOS: 1=15.

ALL DIMENSIONS ARE TO BE VERIFIED BY THE CONTRACTOR PRIOR TO FABRICATION/CONSTRUCTION.

FRAMING LUMBER TO BE DOUGLAS FIR #2 OR BETTER

PLYWOOD SHALL BE PER AMERICAN PLYWOOD ASSOCIATION SPECS.

ALL FRAMING DEVICES ARE SIMPSON "STRONG-TIE" CONNECTIONS. INSTALL DEVICES AND FILL ALL NAIL HOLES PER MANUFACTURER'S LITERATURE.

ALL NAILS SHALL BE COMMON. FOR NAILING NOT NOTED REFER TO IBC TABLE 2304.9.1. ALL NAILS INTO PRESSURE TREATED WOOD TO BE HOT DIPPED GALVANIZED.

FOR FRAMING DETAILS NOT SHOWN REFER TO IBC "CONVENTIONAL FRAMING" PROVISIONS.

MEMBERS IN CONTACT WITH CONCRETE OR MASONRY SHALL BE PRESSURE TREATED OR FOUNDATION GRADE REDWOOD. DO NOT PLACE ANY WOOD MEMBERS IN CONTACT WITH THE EARTH.


PLYWOOD SHEAR WALL PANEL VENEERS SHALL NOT BE BROKEN OR CRUSHED UPON THE INSTALLATION OF SHEAR WALL NAILING.

EXTERIOR FINISH OR SIDING OVER PANELS TO BE DETERMINED BY OWNER.

A SNOW SHED WILL HELP PREVENT SNOW AND ICE ACCUMULATION, BUT IS NOT A SUBSTITUTE FOR THE UPKEEP AND MAINTENANCE OF THE ADJOINING RESIDENCE OR STRUCTURE. IT IS IMPORTANT TO KEEP GUTTERS FREE OF LEAVES AND DEBRIS, INCLUDING THOSE ABOVE OR NEAR THE NATURAL GAS METER. ALSO, NO SHED WILL PROTECT AGAINST FALLING ICE SHEETS, SO CARE MUST BE TAKEN TO PREVENT THE ACCUMULATION OF ICE THAT COULD RESULT IN AN ICE FALL.

**SOUTHWEST
GAS METER SHED**
Pg = 545 psf

**GARY DAVIS GROUP
DESIGN AND ENGINEERING**



post office box 7409
 Red Bluff, CA 96155
 tel 530.583.9222
 fax 530.583.9229
 garydavisgroup.com

Project Number	643.10
Designed By	MA
Drawn By	GS
Client Name	SOUTHWEST GAS
Client Phone	
Revision	

All drawings and written material appearing herein constitute original and unpublished work of the engineer and may not be duplicated, used or disclosed without written consent of the engineer.

NOTES
SHED ROOF

Scale: 1/2" = 1'-0" UNO.
 File: 643.10 Water Shedding
 Plot Date: MAY 1, 2004

S1.0A

1 OF 4 SHEETS



**SOUTHWEST
GAS METER SHED**
Pg = 545 psf

**GARY DAVIS GROUP
DESIGN AND ENGINEERING**



post office box 7409
 city, ca 94515
 tel 530.583.9222
 fax 530.583.9291
 garydavisgroup.com

Project Number	64310
Designed By	M/A
Checked By	GS
Client Name	SOUTHWEST GAS
Client Phone	
Revisions	

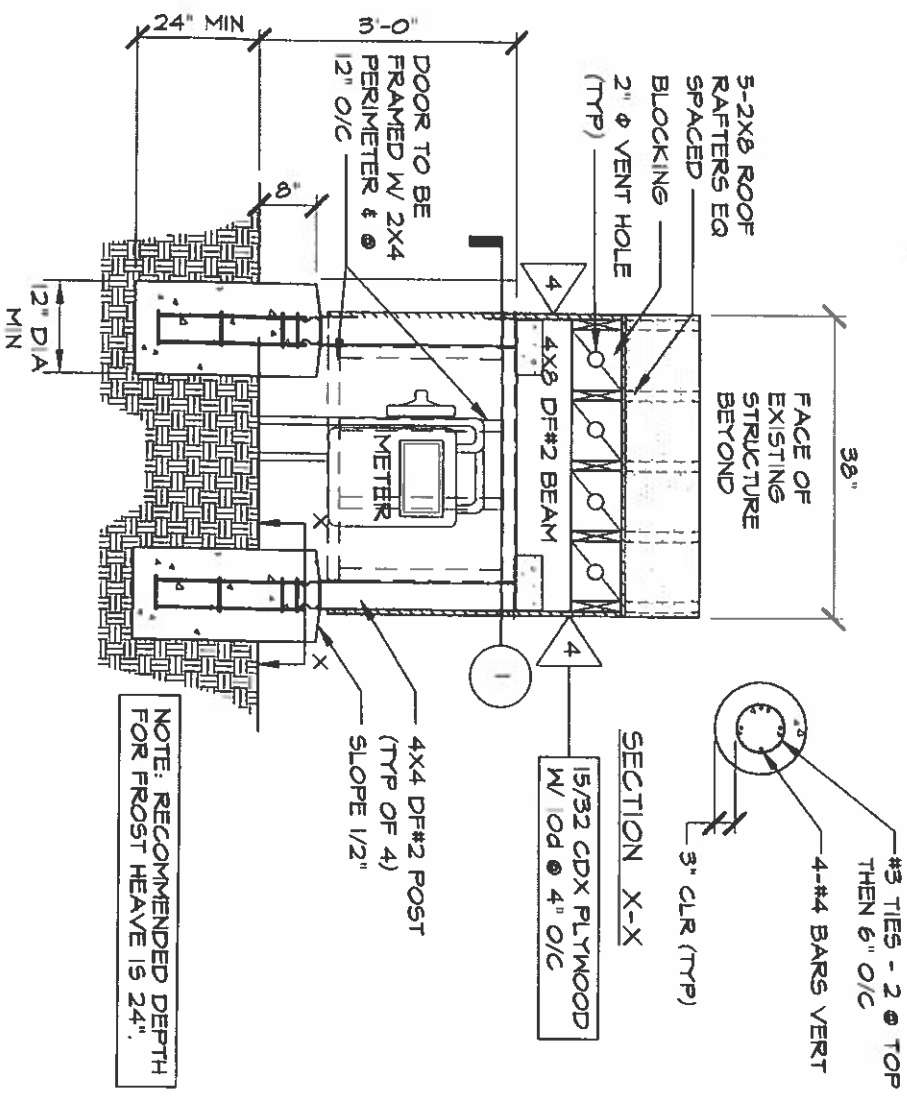
All drawings and written material appearing herein constitute original and unpublished work of the engineer and may not be duplicated, used or disclosed without written consent of the engineer.

**FRONT ELEVATION
SHED ROOF**

Scale 1/2" = 1'-0" U.N.O.
 File 64310 Meter Shedding
 Plot Date MAY 1, 2009

S1.0B

2 OF 4 SHEETS



FRONT ELEVATION